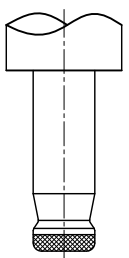
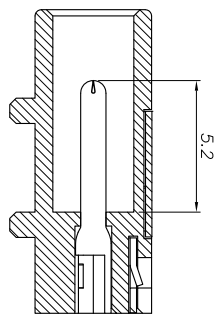
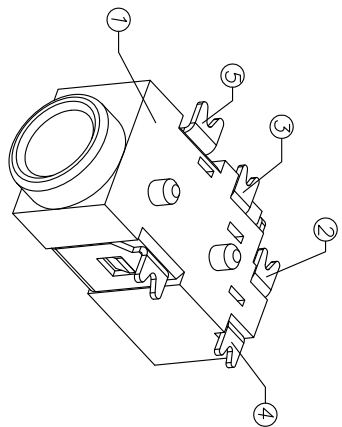
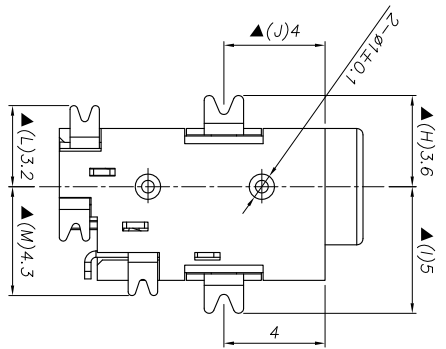
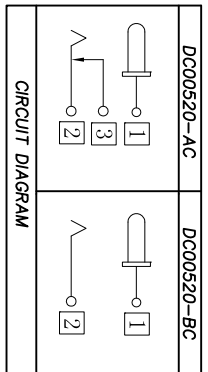


RECOMMENDED P. C. B. LAYOUT
 UNSPECIFIED TOLERANCE: ±0.05
 (Copper-sided view)



SECTION A-A

DC MATE PLUG

Specification:

1. Rating : DC 12V 2.5A ;
2. Contact resistance : ≤30mΩ ;
After test : ≤50mΩ
3. Insulation resistance : ≥100MΩ (500VDC) ;
After test : ≥50MΩ
4. Withstand voltage : 500VAC ;
5. Insertion and extraction force : 3N~30N ;
6. Life test : 5000cycles min ;
7. Operation temperature range: -20°C~70°C
8. Preservative temperature range: -40°C~85°C
9. Sign"▲" is importance dimension

NO.	DESCRIPTION	QTY	MATERIAL	PART NO.	REMARK
⑤	Shield plate	1	Brass t0.25	DC00520-04(JA-935)	Silver plating
④	Shunt terminal	1	Brass t0.25	DC00520-03(WP-933)	Silver plating
③	Tip spring	1	Phosphor bronze t0.25	DC00520-02(TP-934)	Silver plating
②	Center pin	1	Brass	DC00520-99C(UZ-936)	Silver plating
①	Housing	1	PA9T UL94V-0	DC00520-S1	Black

UNIT: MM	TYPE:	MODEL NO:	PAPER NO: A4	PAGE 1 OF 1
	DC POWER JACK	DC00520-	TOLERANCE	SCALE
			±0.3	FULL
			±2'	VER

DESIGNER BY:	Zhangxiuke	2011.03.26	丞永實業有限公司 BLUE SOURCES ELECTRONICS CO.,LTD.
CHECK BY:			
APPROVED BY:			